

Type DS 35

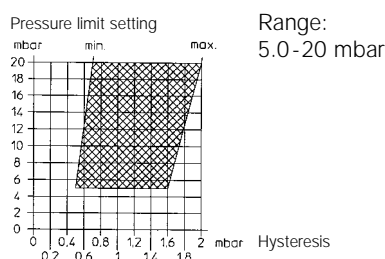
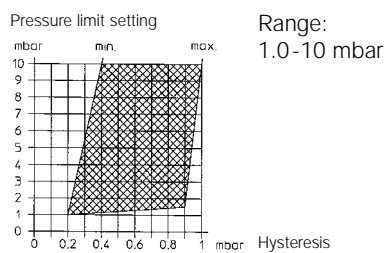
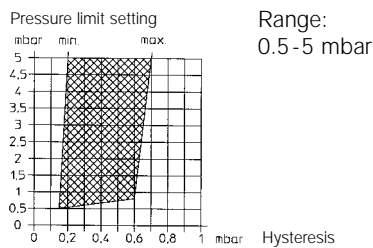
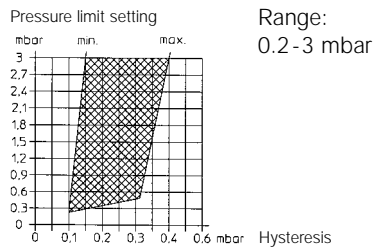
General Description

The DS 35 can be used for limit detection of pressure, underpressure or differential pressure. In differential pressure limit detection applications, the DS Series are used primarily for filter condition monitoring in airconditioning and ventilation systems.

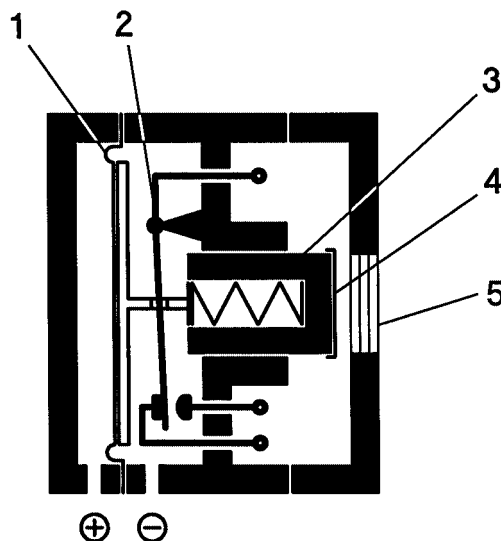
Applications:

- Overheating protection in air heating systems
- Frost protection monitoring in heat exchangers
- Flow monitoring in air ducts/channels
- Monitoring of blowers and dampers

Operation Boundary Diagrams



Functional Scheme



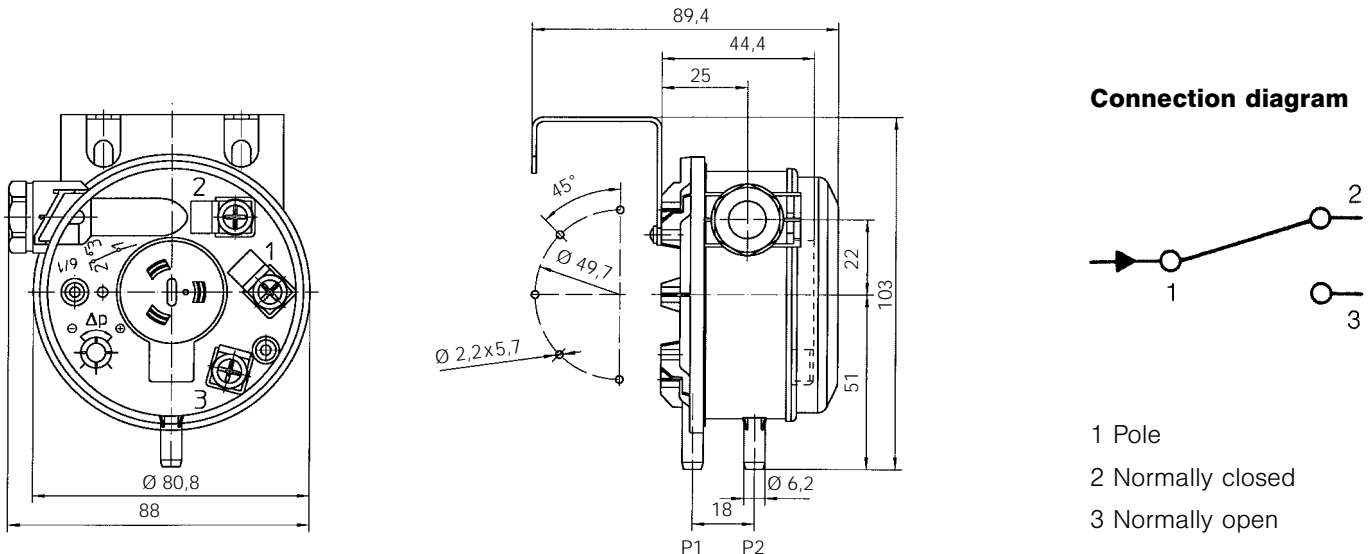
- 1 Sensing diaphragm
- 2 Switch mechanism
- 3 Limit adjusting screw
- 4 Limit adjusting dial
- 5 Dial window

Operating Boundaries
(Pressure Limit Setting/Hysteresis)
= **Switching points will lie within the parallelograms**

Specifications

Minimum detectable pressure limit _____	0.2 mbar
Minimum switching hysteresis _____	0.1 mbar
Max. operating pressure _____	50 mbar
Repeatability _____	Limit detection: approx. ± 0.05 mbar
	Switching hysteresis: approx. ± 0.03 mbar
Switch type and configuration _____	Snap action switch mechanism; 1 C/O contacts
Switch contacts rating _____	$V_{max} = 250$ V AC, $I_{max} = 1$ A, $P_{max} = 100$ VA
Electrical connections Screw clamp terminals _____	Cable entry: PG 11 cable gland
	Cable gland position (housing) can be rotated 360°
Operating temperature _____	Ambient: max. 65°C
Pressure connections _____	Hose nipples (6 mm dia.), or threaded sockets R $1/8$ " (F)
Mounting bracket _____	Sheet steel, zinc plated
Housing _____	Plastic
Sensing diaphragm _____	EPDM (ethylene propylene) elastomer
Mounting position _____	Pressure connections downward
Protection class _____	IP 54

Dimensions



Connection diagram

- 1 Pole
- 2 Normally closed
- 3 Normally open

Ordering Code

Differential Pressure Switch **Type DS 35** **9** **9** **0** **0** **0** **0** **1**

Range

0.2 - 3 mbar	▽	0
0.5 - 5 mbar	▽	1
1.0 - 10 mbar	▽	2
5.0 - 20 mbar	▽	3

Pressure Connections

Hose nipples, 6 mm dia.

Accessories (included)

Connection kit for air duct, consisting of:
2 m PVC hose (5 x 8 mm), 2 hose nipples, 2 rubber glands